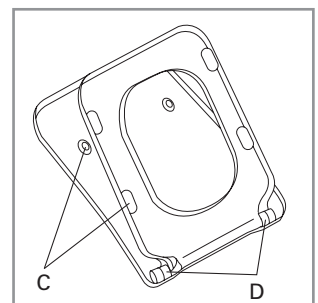
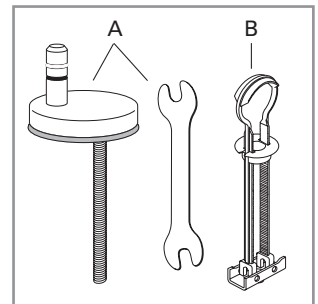
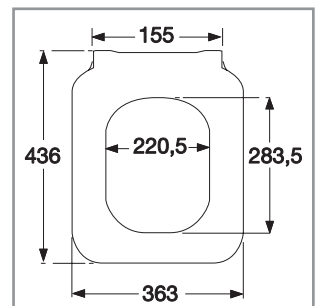


Toilet seat Architectura Slimseat SC/QR

Model	9M81 S1 Architectura slimseat toilet seat, incl. 9224 73 61 universal top mounted toggle hinge
Product Description	Architectura slimseat toilet seat in Wrap Over design made of colour ingrained duroplast with hinge in stainless steel and plastic - incl. universal top mounted toggle hinge in stainless steel - centre distance: 155 mm - load of ring seat: 240 kg - 10 year guarantee
Colour Programme	01 White (Alpin)
Hinge Finish	61 Stainless steel
Spare Parts	A) 9224 73 61 Universal top mounted toggle hinge B) 9218 96 00 Spare part for toggle hinge C) 9219 86 00 Buffers for seat and cover D) 9224 35 00 Damper set
Cleaning Instructions	Use a mild soap solution. Seat and hinge should not be left damp, but be dried with a soft cloth. When using abrasive, corrosive or chlorine based cleaners for the bowl, avoid contact with seat and hinge as it may lead to damages or flash rust. Therefore, when cleaning the bowl, make sure that seat and cover are in an upright position until all the cleaner has been flushed away





[Click here for video](#)

Material Description

TOILET SEAT: The material is colour ingrained duroplast (UF A 10 = urea formaldehyde) that contains no environmentally hazardous substances. UF plastic comprises 67% urea formaldehyde resin, 28% cellulose, as well as 5% minerals, pigments, lubricants and moisture content. The raw material from the supplier contains less than 0,03% formaldehyde after a special curing process.

BUFFERS: EVA (copolymer made of ethylene and vinyl acetate).

DAMPER KIT: Hydraulic damper with stainless steel damper casing and plastic parts.
 Damper liquid: Anti-friction liquid.

MOUNT/HINGE: Stainless steel.

Guarantee

The guarantee includes faults or defects in the material of our products within a periode of 10 years. Products subject to minor technical modifications and design deviations E. & O.E.