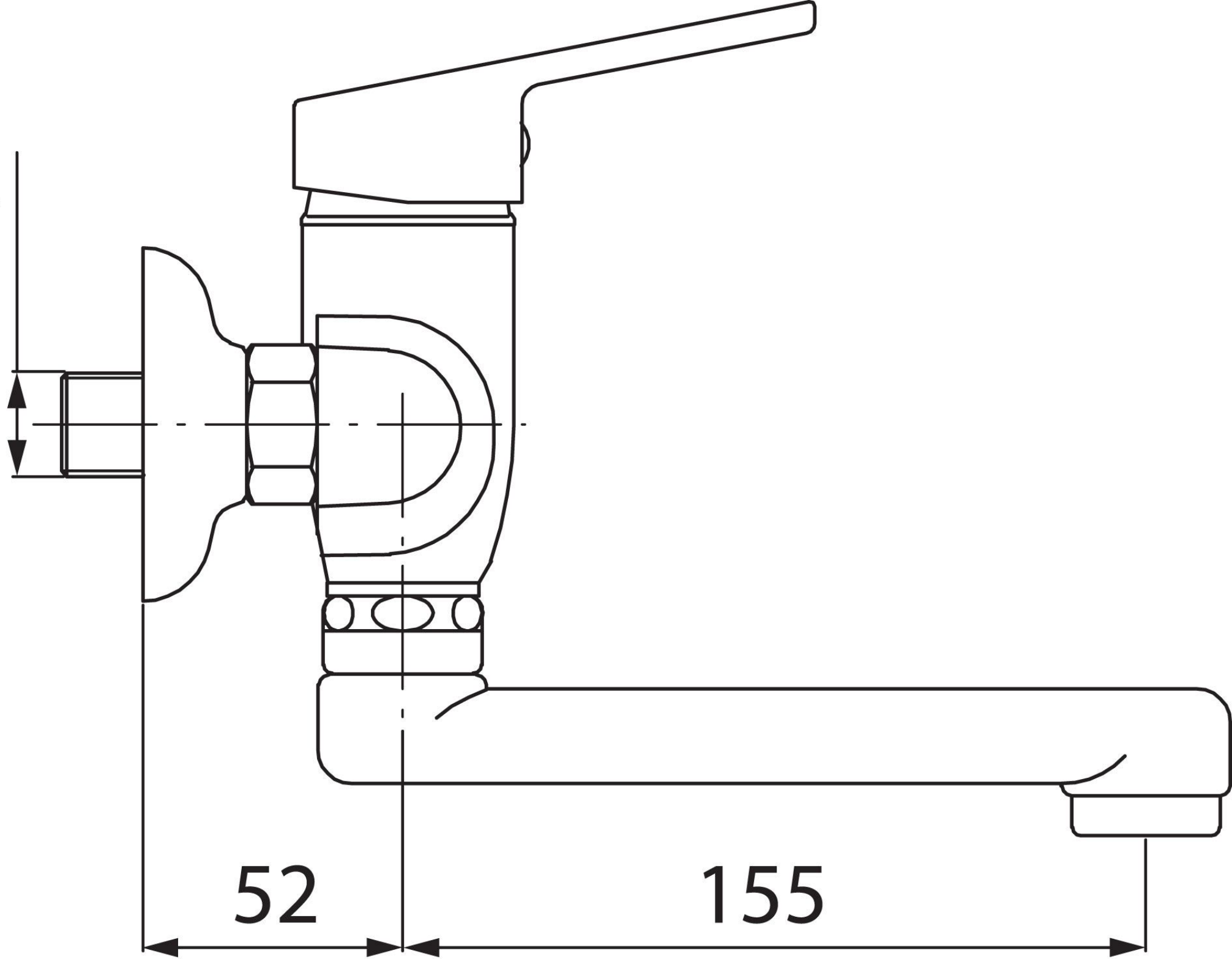


G1/2



52

155